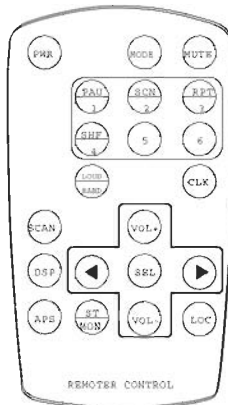
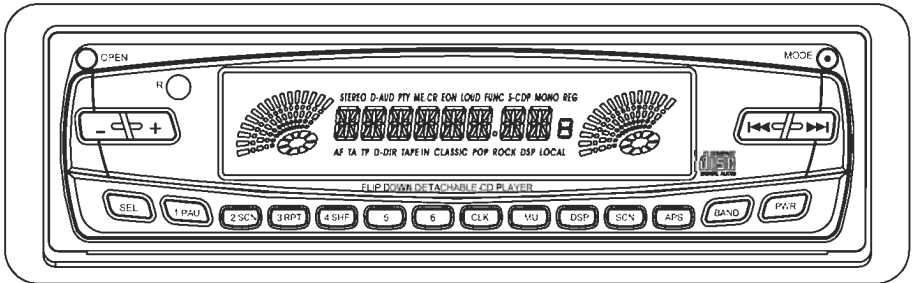


PYRAMID

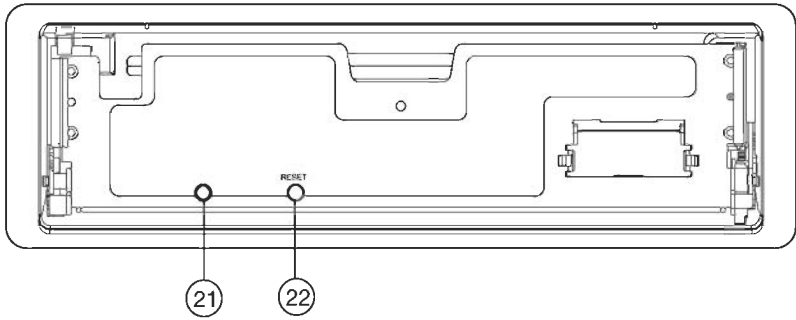
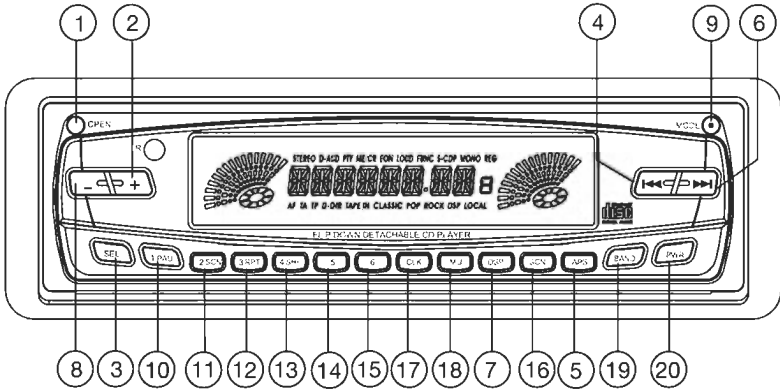
CDR81DFX INSTRUCTION MANUAL



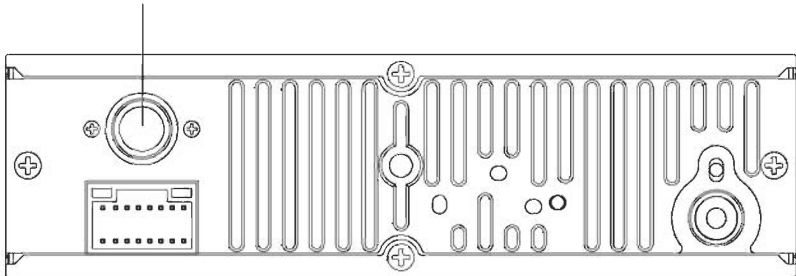
**ANTI-THEFT FLIP DOWN DETACHABLE PANEL
AUTO-LOADING CD/RW COMPACT DISC PLAYER
AM/FM DIGITAL PLL TUNING RADIO
WITH INFRARED REMOTE CONTROLLER**

www.pyramidcaraudio.com

BASIC OPERATION



CDC CONNECTOR OR AUX CABLE



BASIC OPERATION

1. OPEN BUTTON

Press it to flip down the front panel then you can insert the CD disc into the CD compartment or press EJ button to eject the disc.

2-3-8. SEL (AUDIO MODE SELECT) +/- - BUTTONS

Press SEL button to change the mode in the sequence of



- A. The volume level can be adjusted at any time by pressing the audio level + or - button as select mode has been initially defaulted at volume mode.
- B. The volume level is also obtained by stepping through the SEL button until the function VOL is displayed and then press + or - button to adjust the sound level.
- C. Press SEL button to select the BAS, TRE, BAL, FAD mode then press + or - button to adjust the level of them.
- D. Press SEL button hold for more than 2 seconds and select + or - button can have a beep sound.

4-6. TRACK UP/ DOWN BUTTONS

- A. During CD mode, press ►► button allow you to track forwards. Hold it to skip forwards.
- B. During RADIO mode, press and hold ►► or ◀◀ for more than 2 seconds you can manual search channel. Then press ►► or ◀◀, you can have auto search channel.

5. APS BUTTON

IN RADIO MODE:

When short pressing, the radio searches for each preset station.

When the field strength level is more than the threshold level of stop level, the radio is holding at that preset number for few secretary with releasing mute, and then searches again. In FM band, FM 1, FM 2 and FM 3 is checked one at a time. When long pressing (more than 1 second), the radio searches from the current frequency and checks the signal strength level until 1 cycle search is finished. And then 6 strongest stations are preset to the corresponding preset number. The AS operation is implemented in the each band of selected band. When the AS operation is finished, the radio executes the preset scan.

7. DSP BUTTON

Press it to switch between 4 preset equalizer curves: FLAT, CLAS, POP M, ROCK M. The sound quality will be changed.

9. MODE BUTTON

Press it repeatedly to select CDP, AUX and RADIO mode in sequence and circulation. For **SUBWOOFER** function (optional), press and hold for more than 2 seconds can have SUBWOOFER Mode.

10-11-12-13-14-15. PRESET MEMORY BUTTONS

- A) To memorize the current frequency, press any one of the six preset buttons hold for more than 2 seconds.
- B) To recall the preset memory, press one of the preset buttons [1-6].

BASIC OPERATION

- C) In CDP mode, press 1PAU button to pause CDP playing, press it again to resume CDP playing.
- D) In CDP mode, press 2SCN button to play the first 10 seconds part of each song, press it again to stop scanning and retain playing the song currently selected.
- E) In CDP mode, press 3RPT button to play the current track repeatedly. Press it again to cancel this mode.
- F) In CDP mode, press 4SHF button to play the track in random order. Press it again to cancel this mode.

16. SCAN BUTTON

Press it to scan up by one channel step with station detection. If a valid signal has detected, the current frequency is blinked within 5 seconds, then press it again to stop scan and remain the current frequency; otherwise, the unit continue to scan up by one channel step with station detection 5 seconds later.

17. CLOCK BUTTON

Press it to display time on LCD for few seconds. Press it hold and then press ◀◀ or ▶▶ button to adjust hour or minute.

18. MUTE BUTTON

Press it to eliminate the sound immediately.

19. BAND BUTTON

Press it to select your desired radio band and the band which is selected will be displayed on LCD. Press it hold for more than 2 seconds can have LOUD mode. LOUD MODE:

When reduce the volume to half level, press it to enhance the bass effect.

20. POWER BUTTON

Press it to turn on or off the unit.

21. FLASHING LED

If the front panel is not on the main unit, LED will be flashing.

22. RESET

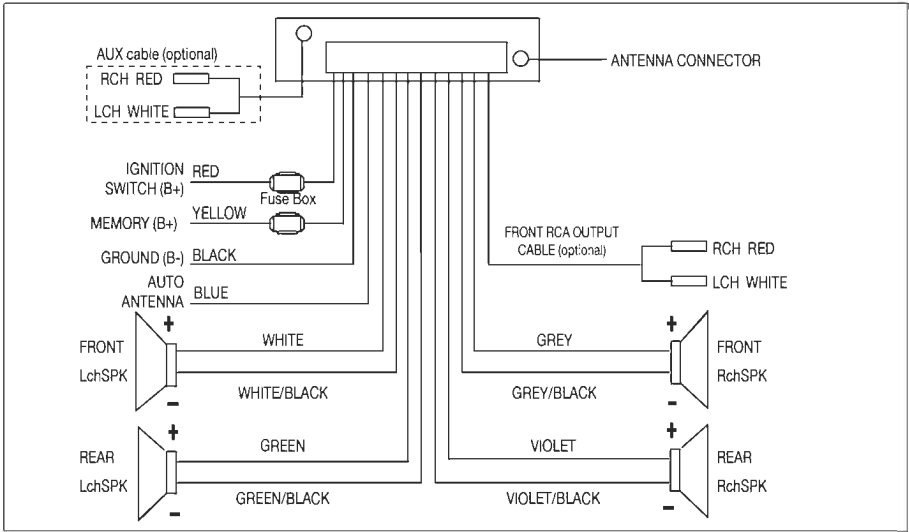
RESET button is placed on the housing and must be activated with either a ballpoint pen or thin metal object. The RESET button is to be activated for the following reasons:

- Initial installation of the unit when all wiring is completed.
- All the function buttons do not operate.
- Error symbol on the display.

Note: If press RESET button, the unit can't work yet, please use a cotton swab soaked in isopropyl alcohol to clean the socket on the back of the front panel.

ELECTRIC CONNECTION

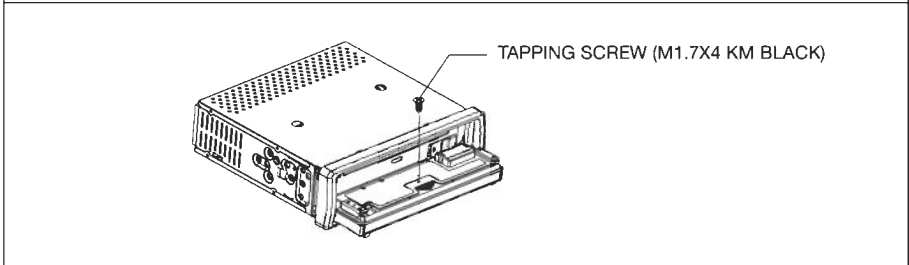
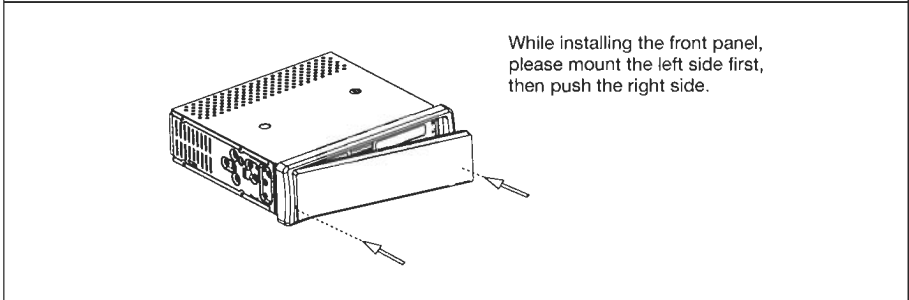
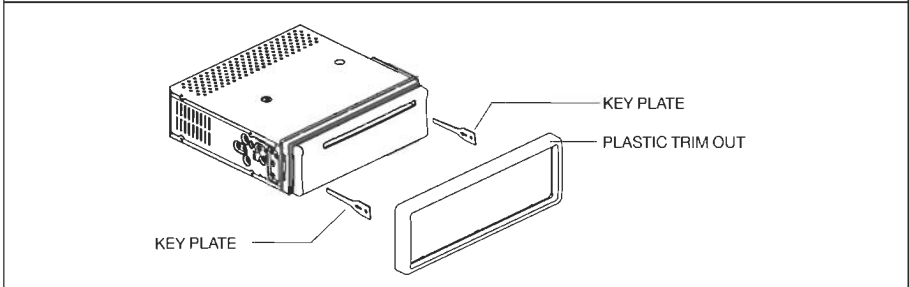
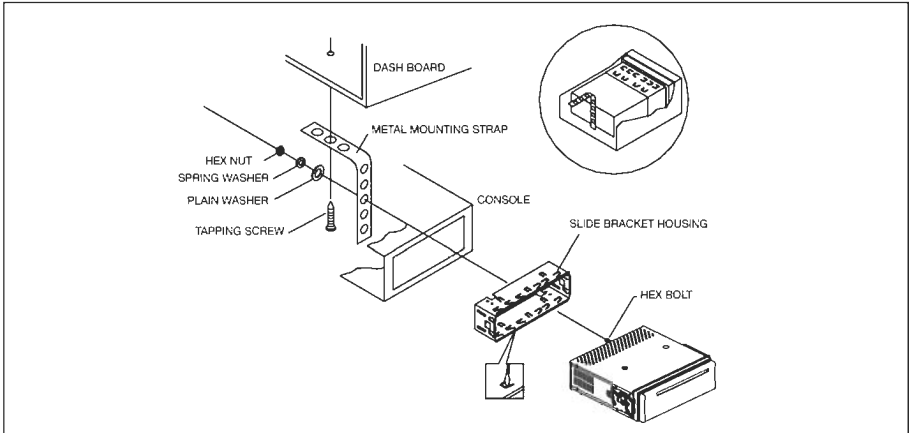
WIRING CONNECTION



NOTE:

In spite of having any kinds of speaker system, must use 4 ohms impedance of speaker to reduce the distortion during high volume level.

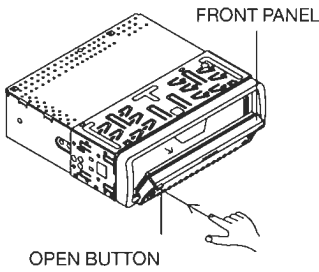
INSTALLATION



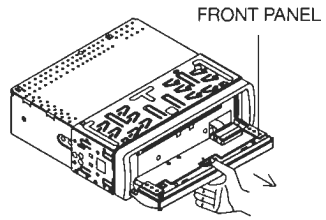
INSTALLATION

CAUTION: Do not install the detachable panel before connecting the wire.

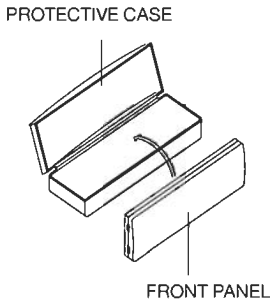
1. The unit is designed for negative terminal of the battery which is connected to the vehicle metal. Please confirm it before installation.
2. If the car interior is extremely hot, as after being parked in the sun, do not use the player until the car has been driven for a while to cool off the interior.
3. Press the OPEN button to flip down the front panel (see fig.1), then take away the front panel (see fig.2) and put it in the protective case (see fig.3) safe keeping.
4. Install the front panel back into its bracket and then push it back to the position for playing (see fig.4).



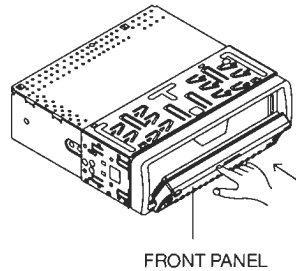
(FIG.1)



(FIG.2)



(FIG.3)



(FIG.4)

NOTES

DISC PLAY:

Cleaning discs

Before playing, clean the disc with a clean, lint-free.

Flip the disc in the direction of the arrow.

NOTE:

Do not use so solvents such as benzine, thinners. Commercially available cleaners or anti static spray damage the unit.

Insert a disc with the label surface down. Doing so may damage the unit.

NOTE:

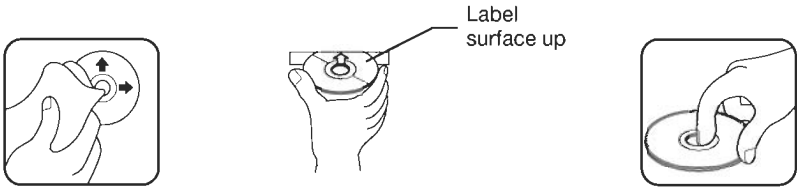
Do not try to insert another disc when one has been already inserted.

Doing so may damage the unit.

Handle the disc by its edge. And to keep the disc clean, do not touch the surface.

Do not stick paper or tape on the disc.

Do not expose the disc to direct sunlight or heat sources such as hot air ducts. Or leave it in a car parked in direct sunlight where there can be a considerable rise in temperature.



Preparing the Remote Control

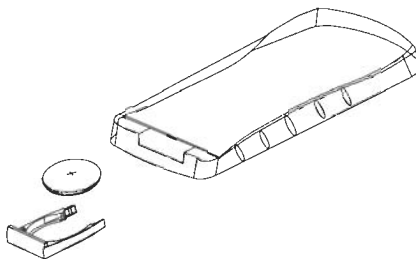
Inserting the Batteries

1. Open the battery compartment cover.
2. Insert the new batteries. Make sure that the positive and negative terminals of the batteries are oriented indicated.
3. Close the cover.

Using the Remote Control

Face the remote control towards the player front face IR mark (remote control signal receiver).

Operation angle: About ± 30 degree in each the direction of the front of the IR mark.



SPECIFICATIONS

GENERAL

Power requirement.....DC 12V
Current consumption5A
POWER OUTPUT4x7W
P.M.P.O. 950W

RADIO SECTION

	For 3 Bands (Europe) FM	For 2 Bands (Europe) FM	For 2 Bands (U.S.A.) FM
Frequency range	87.5 to 108 MHz	87.5 to 108 MHz	87.5 to 107.9 Mhz
Usablesensitivity	3uV		
I.F Frequency	10.7MHz.		
	MW	MW	AM
Frequency range	522 to 1620 KHz	522 to 1620 KHz	530 to 1710 KHz
	LW (OPTION)		
Frequency range	144 to 288 KHz		

LINE - OUT [OPTION]

Output500mV @ FM 10% THDPOWER

CD PLAYER

Systemcompact disc audio system
Usable disccompact disc
Signal formatsampling frequency 44.1KHz
No of quantization bits1bit
Frequency characteristics.....5-40Hz-5dB 10K-20KHz - 5dB
Signal to noise radio 70dB [1KHz][IEC-A net work]
Number of channels2 STEREO
Chassis dimensions184 [W] X 54[H] X 170[D]

TROUBLE SHOOTING

Before going through the check list, check wiring connection. If any of the problems persist after check list has been made, consult your nearest service dealer.

Symptom	Cause	Solution
No power.	The car ignition switch is not on.	If the power supply is properly connected to the car accessory terminal, switch the ignition key to "ACC".
	The fuse is blown.	Replace the fuse.
Disc cannot be loaded or ejected.	Presence of disc inside the player.	Remove the disc in the player, then put a new one.
	Inserting the disc in reverse direction.	Insert the compact disc with the label facing upward.
	The disc is extremely dirty or defective.	Clean the disc or try to play a new one.
	Temperature inside the car is too high.	Cool off or until the ambient temperature return to normal.
No sound.	Condensation.	Leave the player off for an hour, then try again.
	Volume is in minimum.	Adjust volume to a desired level.
Sound skips.	Wiring is not properly connected.	Check wiring connection.
	The installation angle is more than 30 degrees.	Adjust the installation angle less than 30 degrees.
The disc is extremely dirty or defective disc.	The disc is extremely dirty or defective disc.	Clean the compact disc, then try to play a new one.
	The operation keys do not work.	Press the RESET button. Front panel is not properly fixed into its place.
The radio does not work.	The built-in microcomputer is not operating properly due to noise.	Press the RESET button. Front panel is not properly fixed into its place.
	The antenna cable is not connected.	Insert the antenna cable firmly.
	The signals are too weak.	Select a station manually.

